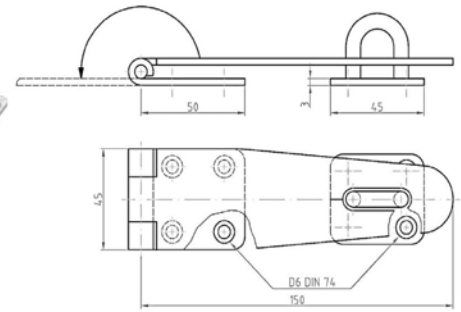




Izerwaren
Order
numbers

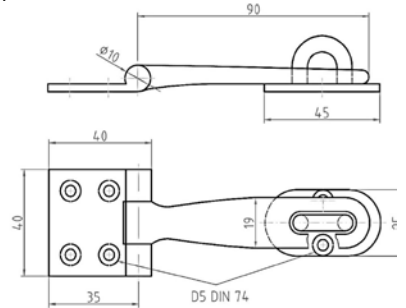
- Solid Brass lid hasps
- Seawater resistant
- Rattle free
- Finish: Chrome plated brass

46.570 **Hasp, medium duty**
With plate lockable by means of padlock
45 x 150 mm
Chrome



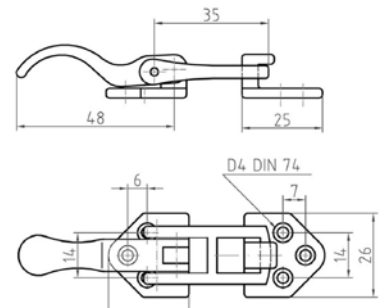
Hasp #46.570 with strike plate 45 x 150 mm

46.572 **Hasp, medium duty**
With plate lockable by means of padlock
40 x 90 mm
Chrome



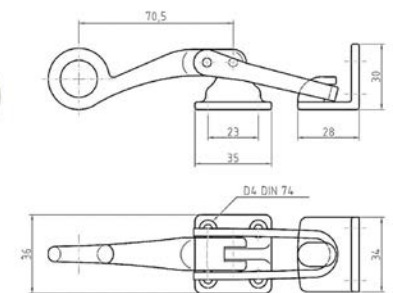
Hasp #46.572 with strike plate 40 x 90

46.576 **Hasp, Light duty**
With hook plate
60 x 26 mm
Chrome



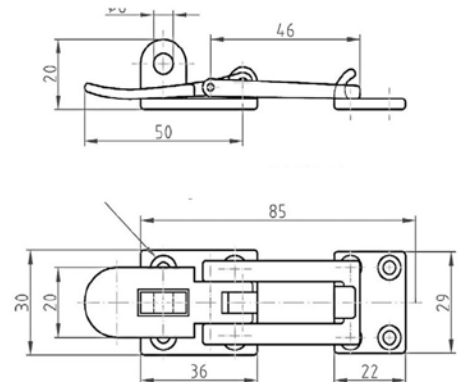
Hasp #46.576 with strike plate size 60 x 26 mm

46.574 **Hasp, Light duty**
With hook plate
36 x 120 mm
Chrome



Hasp #46.574 with angle strike 36 x 120 mm

46.577 **Hasp, medium duty**
With hook plate;
Lockable by means of padlock
26 x 85 mm
Chrome

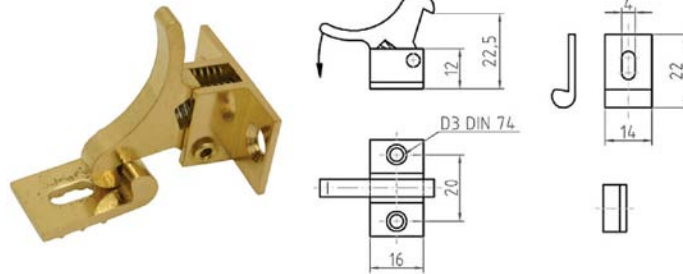


Hasp #46.577 with Flush Strike Size: 26 x 85 mm



Izerwaren
Order
numbers

21.516 **Finger pull (5160/61)**
elbow catch with strike, both handed.
Cover ring in hole in door:
drill 29 mm hole; OD: 34 mm ID: 23 mm



Finger pull #21.516 elbow catch; latch operates by pulling lever with finger, through hole in door. strike plate included; both handed

21.2801 **Ring (631.02.801) Brass Polished**
Diameter 35 mm; 18 mm high;

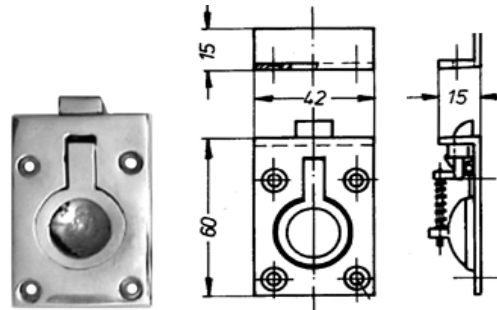
21.2701 **Ring (631.02.701) Satin Nickel**
Diameter 35 mm; 18 mm high;



#21.2801 Brass #21.2701 nickel
D = drill hole for OD 35 mm ring;
A = height 19 mm
thickness ring: 2 mm

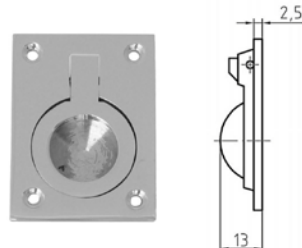
Brass Cover ring for hole in door:

46.108 **Flush Pull Lift with latch (4108)**
Brass, polished chrome plated,
Latch comes with strike
Body: 60 x 40 mm - 2 3/8" x 1 9/16";
strike 15 x 15 mm - 5/8" x 5/8"
mortise depth: 18 mm - 11/16"



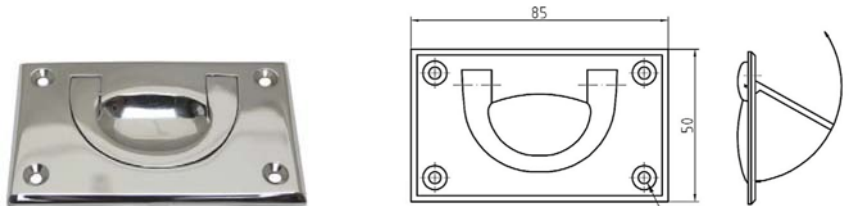
Finger pull catch #46.108 brass chrome plated

46.105 **Flush Pull**
Brass, polished chrome plated,
Size: 52 x 37 x 13mm
mortise depth: 13 mm 5/8"



Flush pull #46.105 chrome plated: 52 x 37 mm

46.020 **Flush Pull**
Brass, polished chrome plated,
Size: 85 x 50 x 13mm
mortise depth: 13 mm ~ 5/8"



Flush pull #46.020 chrome plated brass 85 x 50 x 13 mm; 3 3/8 x 2 x 5/8 inch

43.214 **Flush Pull Lift stainless steel**
2 1/4" x 3" ~ 57 x 76 mm
316 Cast Stainless steel

43.215 **Flush Hatch Lift stainless steel 43.215**
Dimension case: 2 1/2" x 1 3/4"
316 Cast Stainless steel

43.216 **Hatch Pull stainless steel #43.216**
Dimension case: 1 1/2" x 1 15/16"
316 Cast Stainless steel



#43.214
Flush Pulls 3" x 2 1/4"

#43.215;
1 3/4" x 2 1/2"

#43.216;
1 1/2" x 1 15/16"